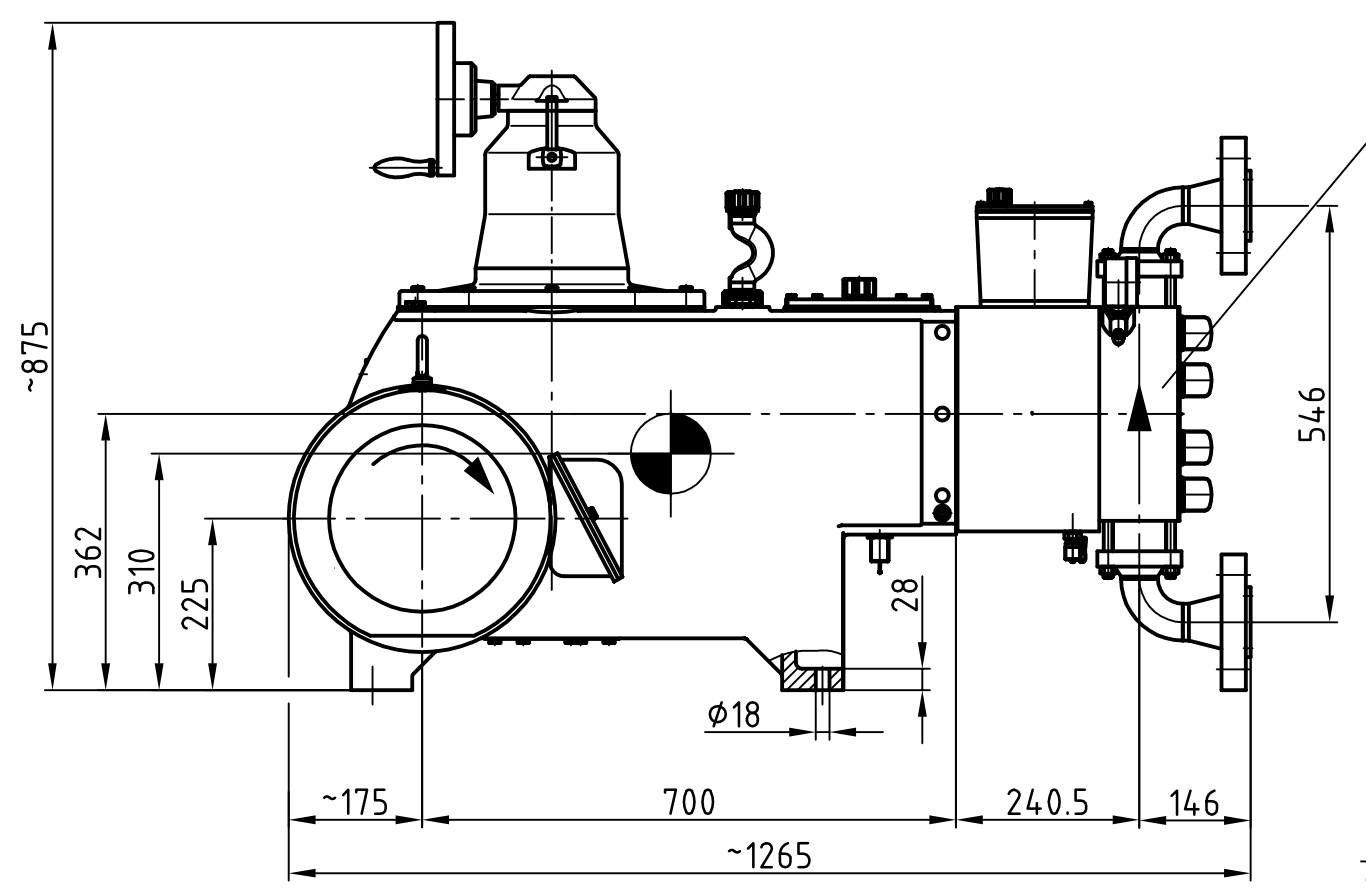


PROPRIETARY NOTE
 This drawing contains information proprietary to SPX Flow Technology Norderstedt GmbH. The contents must be kept confidential.
 Reprints and disclosures are not permitted without the written consent of SPX Flow Technology Norderstedt GmbH.



9 Pumpenkopf $\phi 63 \times 60$ Hub
 pumphead $\phi 63 \times 60$ stroke
 Anschl. ANSI 1 1/2" 1500lbs RF
 conn. ANSI 1 1/2" 150lbs RF

Schild/plate 1:1

SPX. >Bran+Luebbe

SPX FLOW TECHNOLOGY NORDERSTEDT GmbH
 Werkstrasse 4 - 22844 Norderstedt - Germany

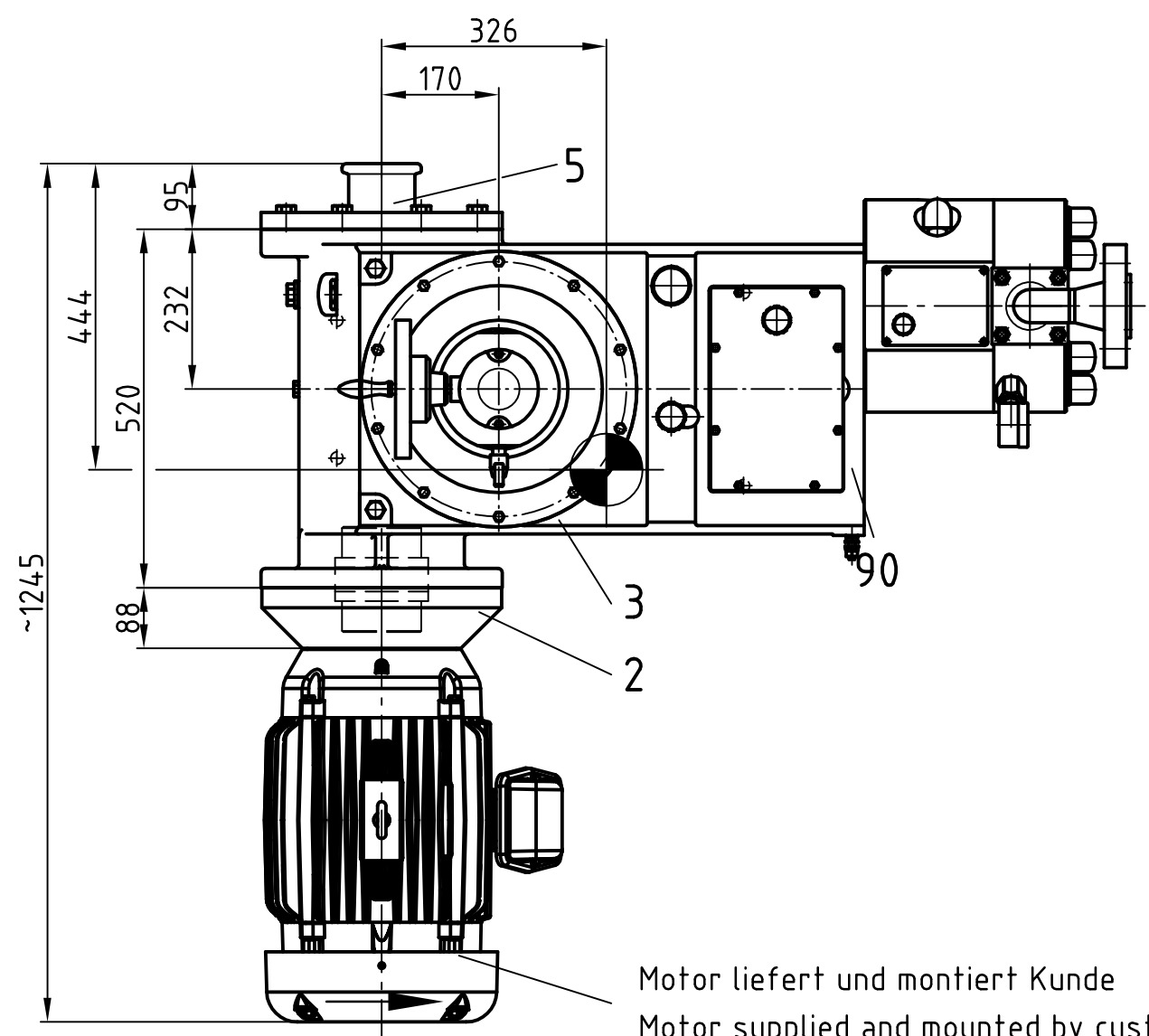
Metering Pump NOVADOS H6

Job no. 1732656.30 Serial no. 16000093
 Tag no. P-112

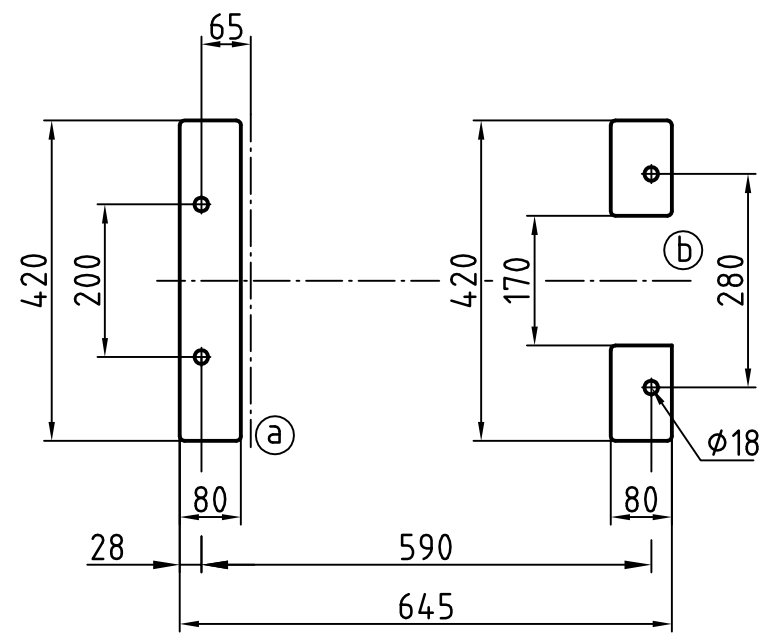
Operat. press.	99.3	barg
Capacity max.	1900	l/h
Stroke frequency	187	1/min
Relief valve set press.	114	barg/int
Hydrostatic test press.	149	barg
Operat. temperature	0 ... 32	°C

Hydraulic oil ISO VG 10
 Gear oil ISO VG 100

Built 2013 Weight ~ 850 kg



Motor liefert und montiert Kunde
 Motor supplied and mounted by customer



- Auflagefläche
Base area
- (a) Motormitte
motor center line
- (b) Pumpenkopfmitte
pump head center line

- Schwerpunkt
center of gravity
- 90 Erdung / earthing

Trockengewicht ohne Motor / Dry weight without motor : ~ 703 kg
 Trockengewicht mit Motor / Dry weight with motor : ~ 850 kg
 Ölmenge Getriebe / Oil quantity gearbox : 40 l
 Ölmenge Pumpenkopf / Oil quantity Pumphead : 1,25 l

Projektion ISO128-30
 projection ISO128-30

>Bran+Luebbe			TITLE 1 DOSIERPUMPE/METERING PUMP			
			TITLE 2 NOVADOS H6			
DRAWN	E.Deutschmann	16.10.2013	MATERIAL		IDENT.-NO.	
CHANGED	E.Deutschmann	17.10.2013			REV. 0	
APPROVED	B.Ferk	21.10.2013	FORMAT	SCALE	SHEET	
RELEASED	B.Ferk	21.10.2013	A3	1:10	1/1	
			DRAWING-NO. GA173265630			