

Schild/plate 1:1

SPX. >Bran+Luebbe
 SPX FLOW TECHNOLOGY NORDERSTEDT GmbH
 Werkstrasse 4 - 22844 Norderstedt - Germany

Metering Pump NOVADOS H1

Job no. 1732656.10 Serial no. 11002635
 Tag no. P-113

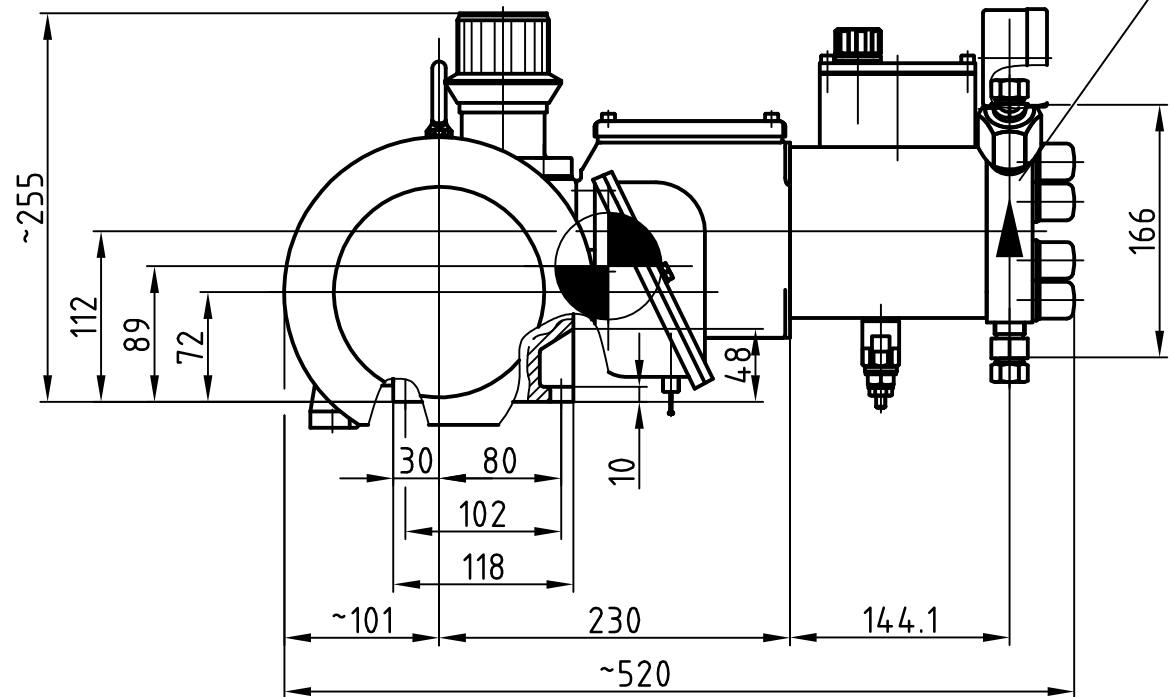
Operat. press.	99.3	barg
Capacity max.	2.8	l/h
Stroke frequency	153	1/min
Relief valve set press.	110	barg/int
Hydrostatic test press.	149	barg
Operat. temperature	0 ... 32	°C

Hydraulic oil ISO VG 10
 Gear oil ISO VG 100

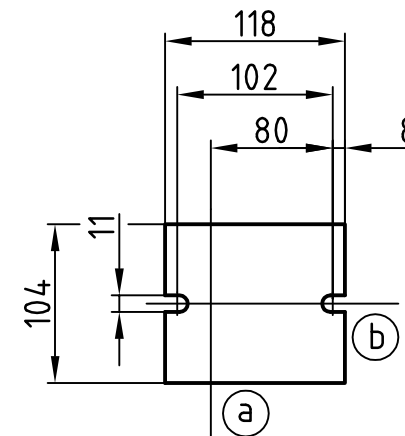
Built 2013 Weight ~ 65 kg

100

9 Pumpenkopf $\phi 12 \times 20$ Hub
 pumphead $\phi 12 \times 20$ stroke
 Anschl. für Rohr 1/2" A.D.
 conn. to pipe 1/2" O.D.
 SWAGELOK



Auflagefläche
Base area



- (a) Motormitte
motor center line
- (b) Pumpenkopfmitte
pump head center line

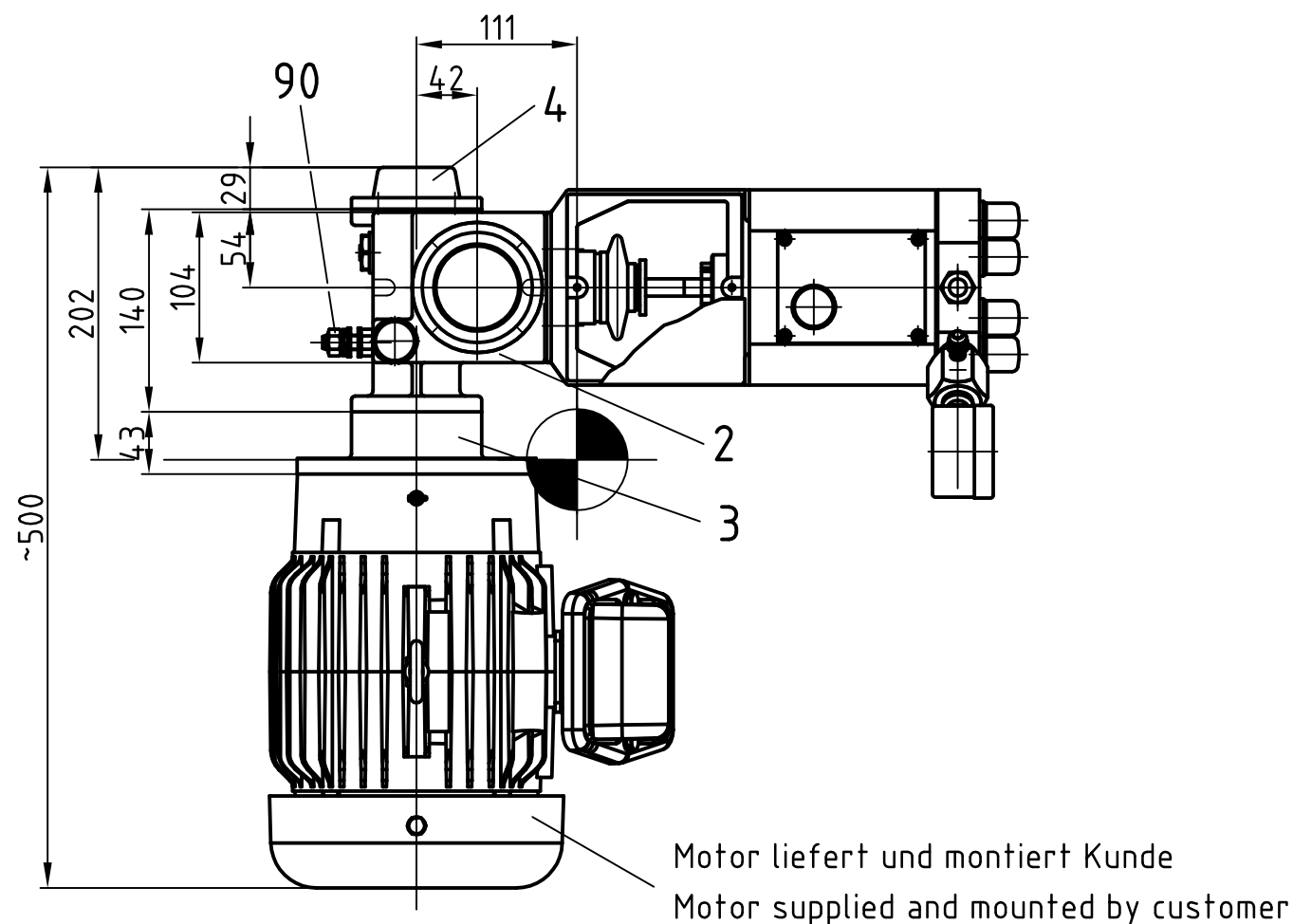
Schwerpunkt
center of gravity

90 Erdung / earthing

Trockengewicht ohne Motor / Dry weight without motor : ~ 38 kg
 Trockengewicht mit Motor / Dry weight with motor : ~ 65 kg
 Ölmenge Getriebe / Oil quantity gearbox : 0,25 l
 Ölmenge Pumpenkopf / Oil quantity Pumphead : 0,25 l

Projektion ISO128-30
 projection ISO128-30

>Bran+Luebbe			TITLE 1 DOSIERPUMPE/METERING PUMP			
			TITLE 2 NOVADOS H1			
DRAWN	E.Deutschmann	16.10.2013	MATERIAL		IDENT.-NO.	REV. 0
CHANGED	E.Deutschmann	17.10.2013	FORMAT A3		SCALE 1:5	SHEET 1/1
APPROVED	B.Ferk	21.10.2013				
RELEASED	B.Ferk	21.10.2013	DRAWING-NO. GA173265610			



Motor liefert und montiert Kunde
 Motor supplied and mounted by customer

PROPRIETARY NOTE
 This drawing contains information proprietary to Bran+Luebbe GmbH. The contents must be kept confidential.
 Reprints and disclosures are not permitted without the written consent of Bran+Luebbe GmbH.

- CAD-DRAWING -