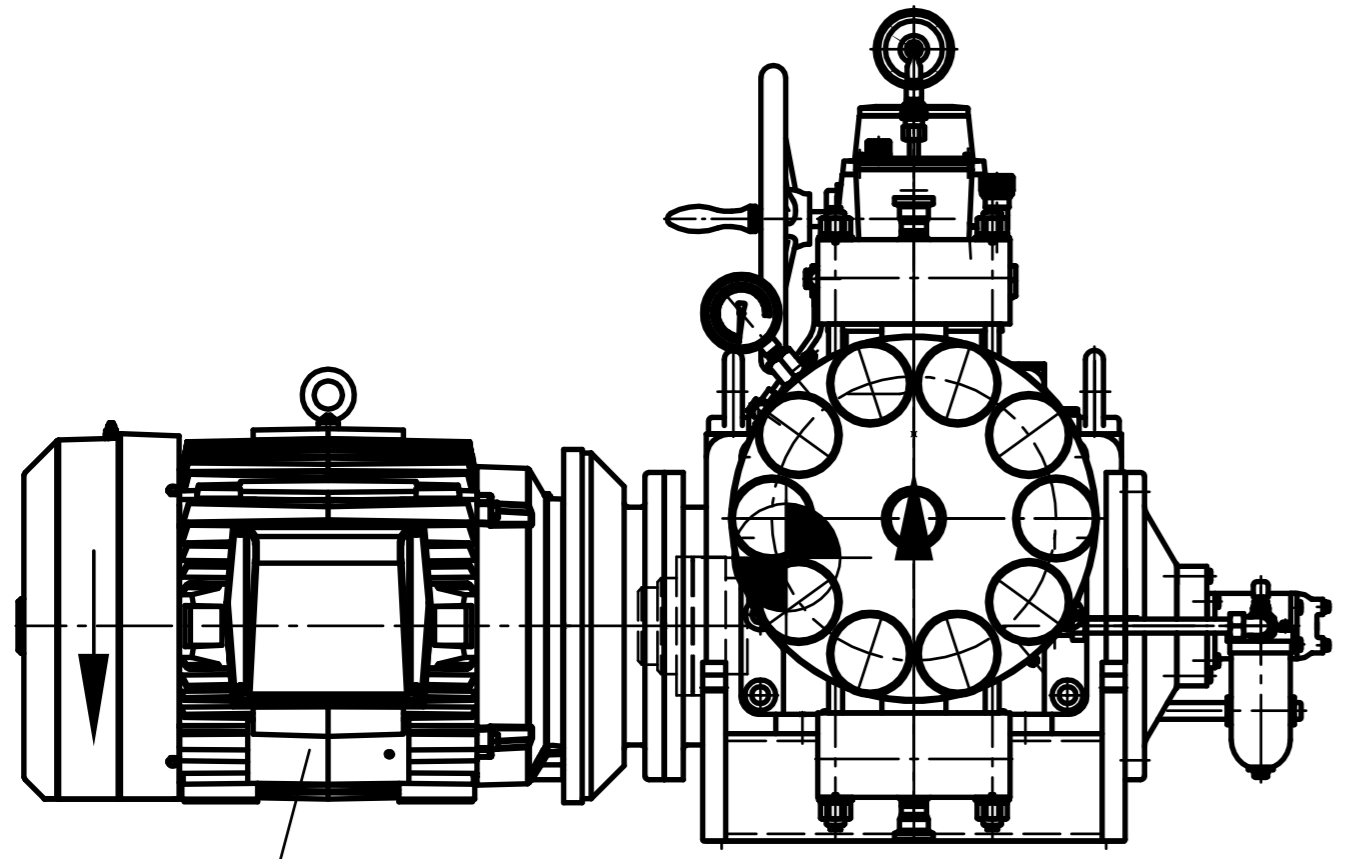
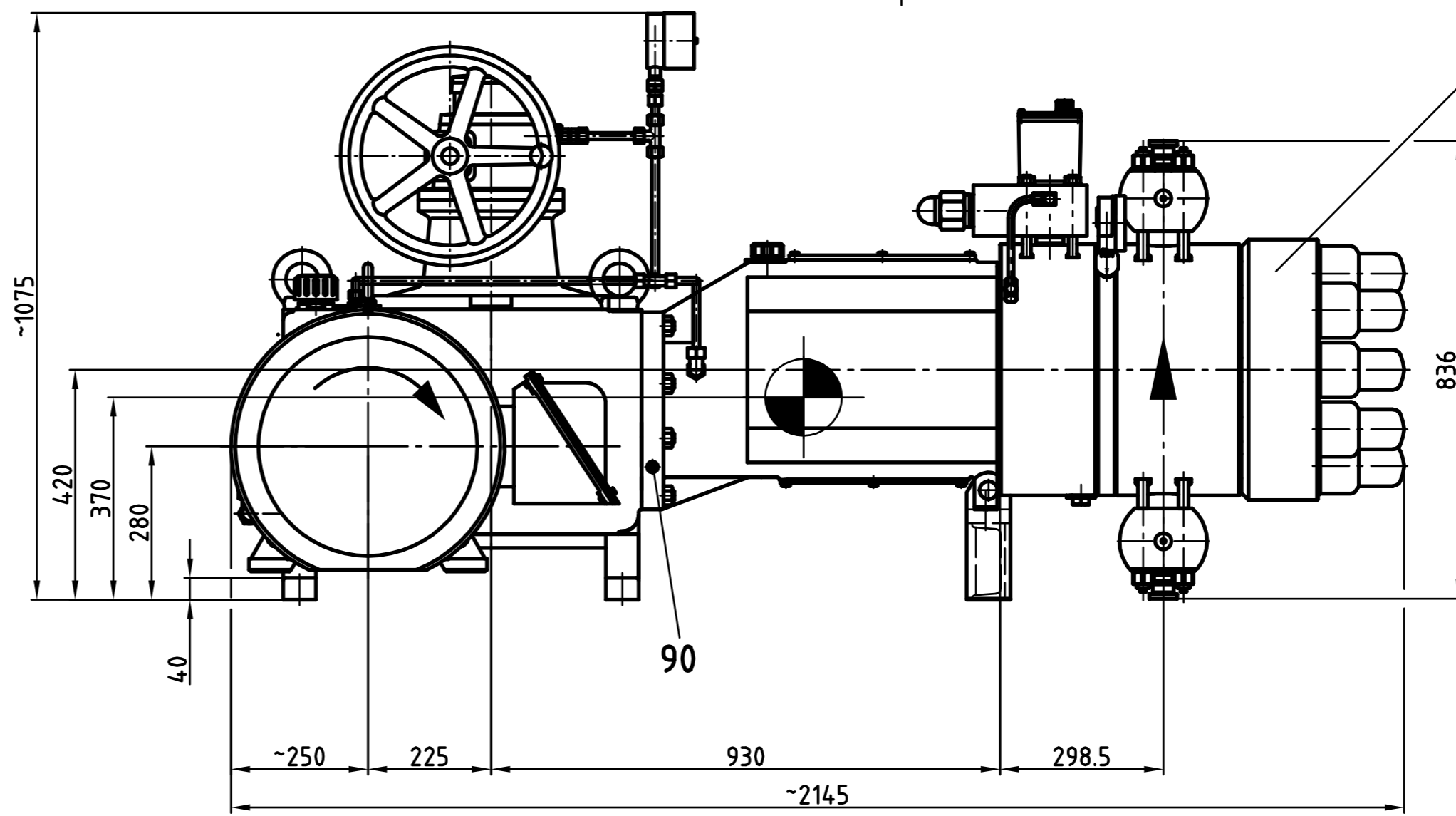
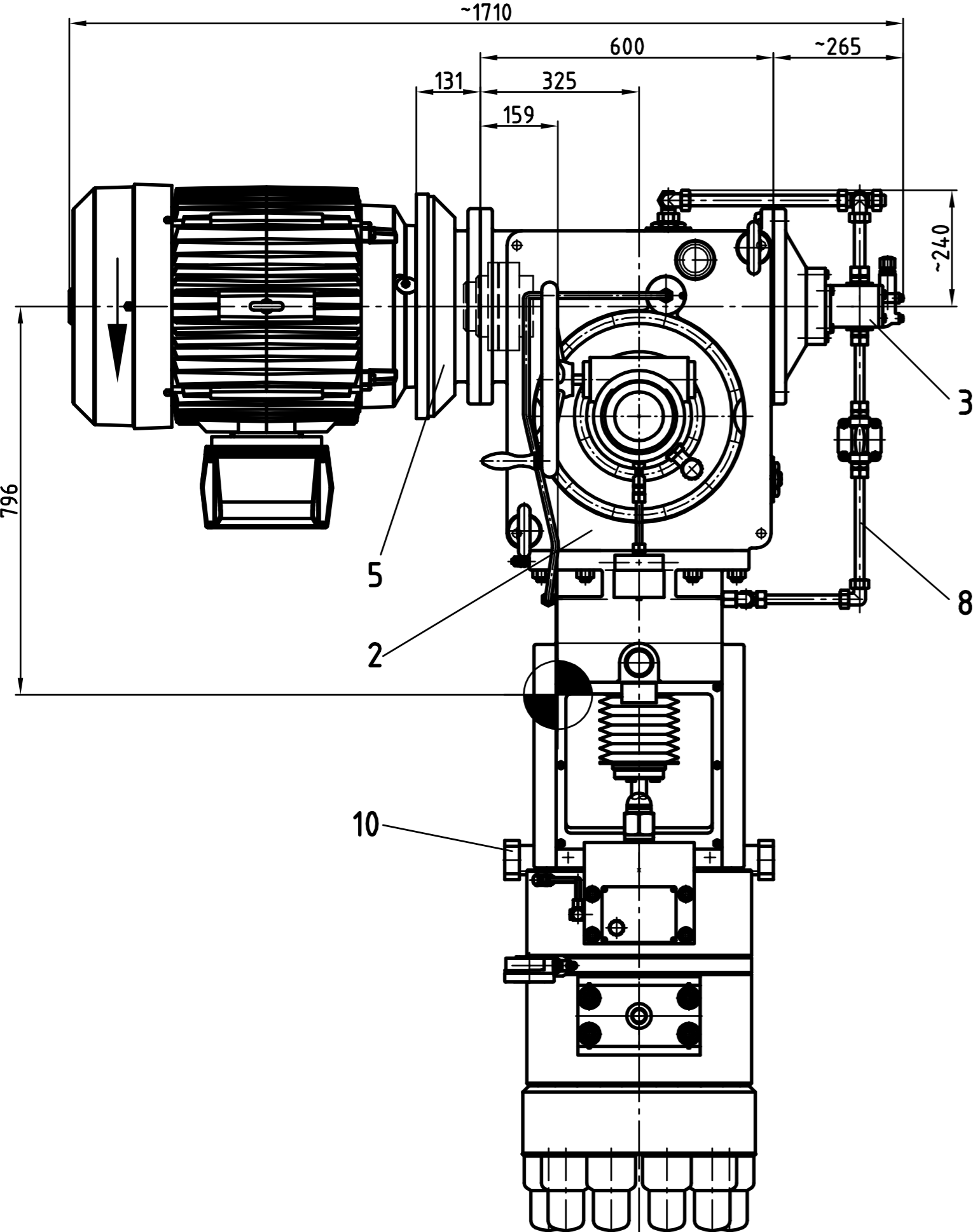


PROPRIETARY NOTE
 This drawing contains information proprietary to Bran+Luebbe GmbH. The contents must be kept confidential. Reproduction and disclosure are not permitted without the written consent of Bran+Luebbe GmbH.



Motor liefert und montiert Kunde
 Motor supplied and mounted by customer



Pumpenkopf $\phi 25 \times 120$ Hub
 9
 pumphead $\phi 25 \times 120$ stroke
 Anschl. 1" Techlok 1in/5
 conn. 1" Techlok 1in/5

Schild/plate 1:1

SPX. >Bran+Luebbe®
SPX FLOW TECHNOLOGY NORDERSTEDT GmbH
 Werksstrasse 4 - 22844 Norderstedt - Germany

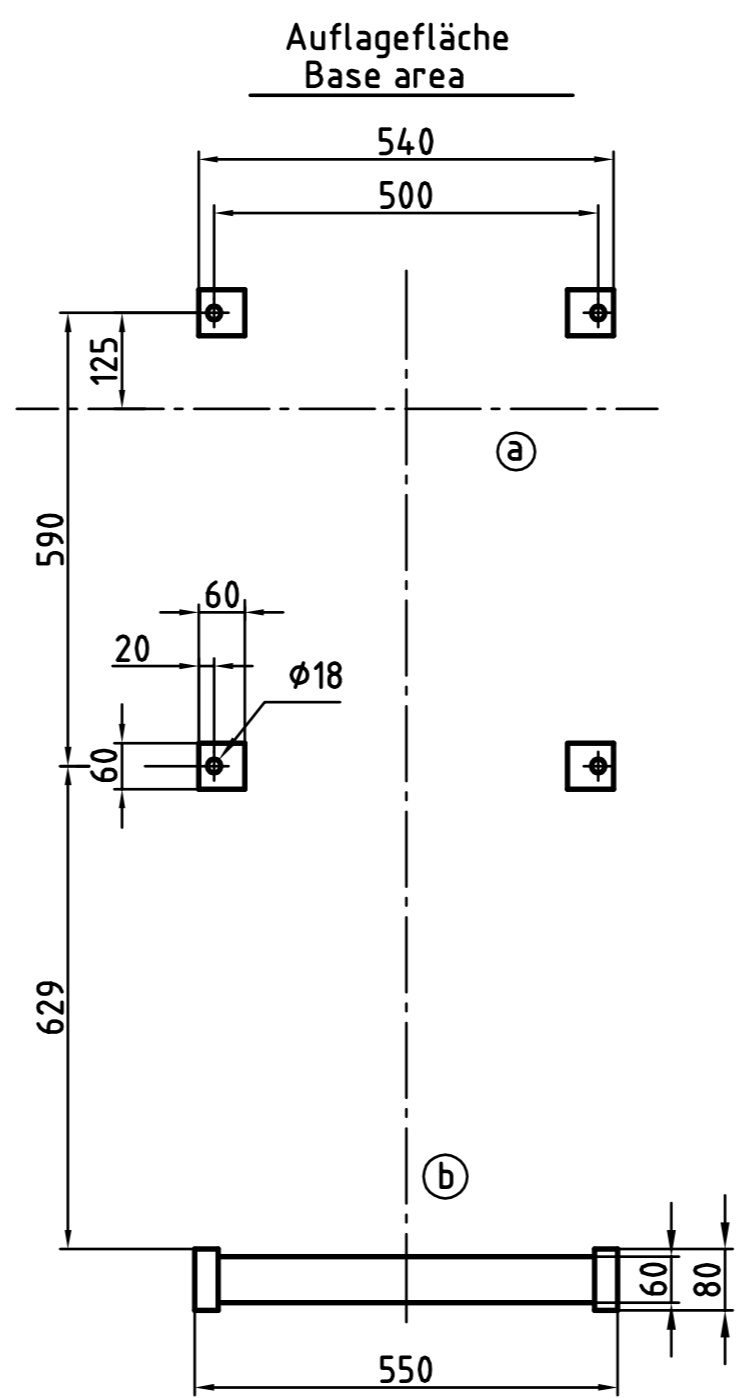
**Metering Pump
 NOVADOS B**

Job no. 1732656.20 Serial no. 22000023
 Tag no. P-111

Operat. press.	1000	barg
Capacity max.	466	l/h
Stroke frequency	202	1/min
Relief valve set press.	1137	barg/int
Hydrostatic test press.	1500	barg
Operat. temperature	0 ... 32	°C

Hydraulic oil ISO VG 10
 Gear oil ISO VG 320

Built 2013 Weight ~ 2100 kg



- (a) Motormitte
motor center line
- (b) Pumpkopfmittle
pump head center line

Schwerpunkt
 center of gravity

90 Erdung / earthing

Trockengewicht ohne Motor / Dry weight without motor : ~ 1660 kg
 Trockengewicht mit Motor / Dry weight with motor : ~ 2100 kg
 Ölmenge Getriebe / Oil quantity gearbox : 30 l
 Ölmenge Pumpenkopf / Oil quantity Pumphead : 0,84 l

Projektion ISO128-30
 projection ISO128-30

>Bran+Luebbe®		TITLE 1 DOSIERPUMPE/METERING PUMP		TITLE 2 NOVADOS B	
DRAWN	E.Deutschmann	16.10.2013	MATERIAL	IDENT.-NO.	REV. 0
CHANGED	E.Deutschmann	21.10.2013	FORMAT	SCALE	SHEET
APPROVED	B.Ferk	21.10.2013	A2	1:10	1/1
RELEASED	B.Ferk	21.10.2013	DRAWING-NO. GA173265620		